

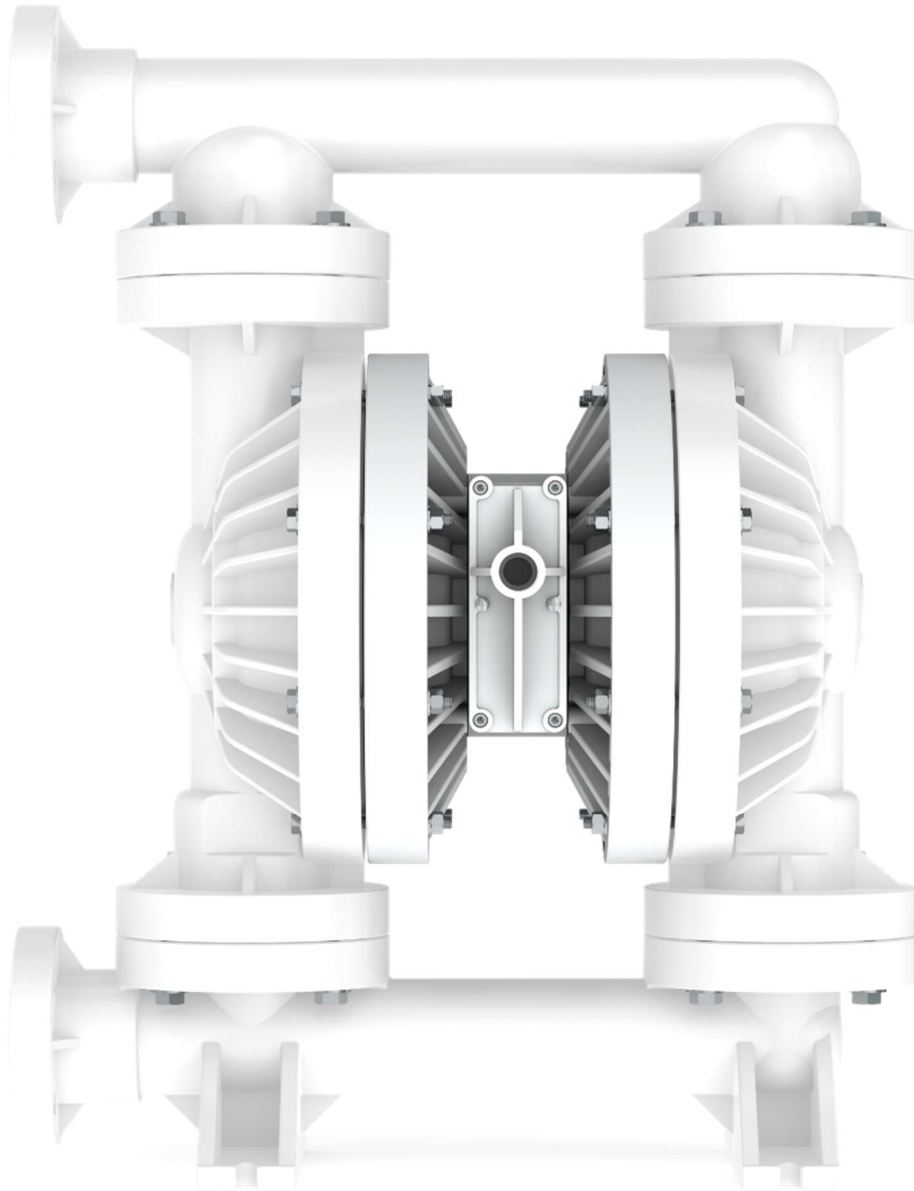


**AIR OPERATED
DOUBLE
DIAPHRAGM
PUMPS**



ISO 9001: 2008
ISO 14001: 2004

pricepumps.co.in



**2" PVDF PUMP
AOD 500 PF KKG/TEF/TF/K/T**

pricepumps.co.in



AIR OPERATED DOUBLE DIAPHRAGM PUMPS



ISO 9001: 2008
ISO 14001: 2004

pricepumps.co.in

SECTION 1- LEGEND

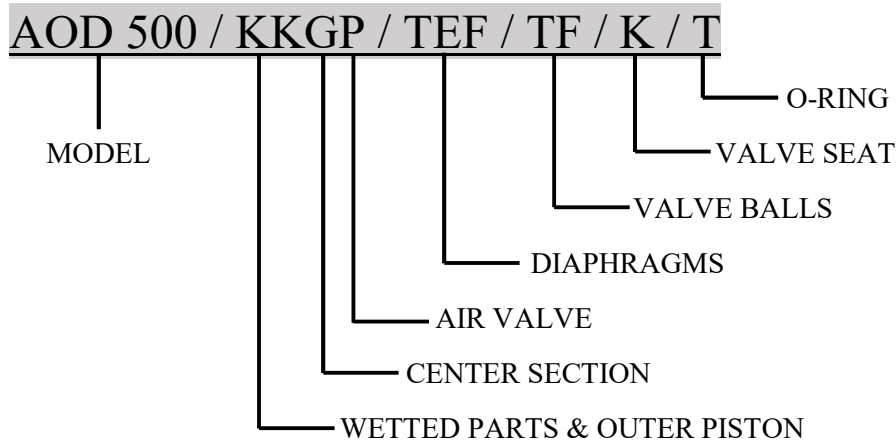
2" POLYPROPYLENE PUMP

AOD 500/KKGP/TEF/TF/K/T

MODEL: AOD 500 PF POLYPROPYLENE

51mm (2") Pump

Maximum Flow Rate: 709 Lpm (187 gpm)



MATERIAL CODES

MODEL
AOD 500 = 2" PUMP

AIR VALVE
P = POLYPROPYLENE

VALVE BALL
TF = TEFLON

WETTED PARTS & OUTER PISTON
KK = PVDF / PVDF

DIAPHRAGMS
TEF = TEFLON

VALVE SEAT
K = PVDF

CENTER SECTION
G = GLASS FILLED
POLYPROPYLENE

VALVE SEAT O-RING
T = TEFLON



AIR OPERATED DOUBLE DIAPHRAGM PUMPS



ISO 9001: 2008
ISO 14001: 2004

pricepumps.co.in

SECTION 2 – SPARE PART LIST

2” POLYPROPYLENE PUMP

AOD 500/KKGP/TEF/TF/K/T

SR No.	DISCRIPTION	PART No	QTY
1	LIQUID CHAMBER	50-1001-21	2
2	SUCTION MANIFOLD	50-1021-21	1
3	DISCHARGE MANIFOLD	50-1031-21	1
4	NRV BALL	50-1041-55	4
5	BALL SEAT	50-1065-21	4
6	BALL CAGE	50-1096-21	4
7	SEAT O RING	50-3106-55	4
8	MANIFOLD O RING	50-3111-55	4
9	HOLDING PLATE	50-1111-01	2
10	LOCK NUT	50-1131-21	2
11	DIAPHRAGM	50-2001-55	2
12	BACK UP DIAPHRAGM	50-2101-65	2
13	CENTER BLOCK	40-1301-23	1
14	REDUCER	40-1376-21	1
15	CENTER BLOCK PATTI	40-1319-03	4
16	CENTER BLOCK PIPE	40-1318-03	4
17	CENTER BLOCK O RING	40-3155-56	4
18	MAIN SHAFT	50-1342-03	1
19	AIR COVER GASKET	40-3311-51	2
20	AIR COVER	50-1406-23	2
21	PILOT BUSH	40-1471-07	1
22	PILOT SHAFT	40-1451-03	1
23	PILOT BUSH O RING	40-3161-51	4
24	PILOT SHAFT	15-3176-56	4
25	PILOT SHAFT LOCK O RING	40-3181-51	2



AIR OPERATED DOUBLE DIAPHRAGM PUMPS



ISO 9001: 2008
ISO 14001: 2004

pricepumps.co.in

SECTION 2 – SPARE PART LIST (CONTINUED...)

2" POLYPROPYLENE PUMP

AOD 500/KKGP/TEF/TF/K/T

SR NO.	DISCRIPTION	PART NO.	QTY
26	PISTON BLOCK	40-1501-20	1
27	PISTON	40-1521-69	1
28	PISTON/CAP O RING BIG	40-3201-51	2
29	PISTON O RING SMALL	40-3222-51	4
30	PISTON RING	40-3241-68	1
31	PISTON RING SMALL	40-3246-68	4
32	P B CAP	40-1571-20	1
33	PISTON BLOCK COVER	40-1561-20	1
34	P B GASKET	40-3321-51	1
35	P B COVER	40-3331-51	1
36	EXHAUST	40-1366-23	1
37	AIR NIPPLE	50-1371-07	1
38	3/8" X 110 MM HEX BOLTS SS (CHAMBER BOLTS)	04-6019-03	16
39	1/2" X 2" HEX BOLTS SS (SUC/DIS)	04-6009-03	16
40	3/8" X 1 1/4" HEX BOLTS SS (AIR COVER)	04-6016-03	8
41	3/8 X 30 X 3 MM MS WASHER (CHAMBER)	04-6213-61	32
42	1/2 X 32 X 3 MM MS WASHER (SUC/DIS)	04-6203-61	16
43	3/8 X 3 MM SS WASHER (AIR COVER)	04-6206-03	8
44	5/8 X 35 X 3 MM MS WASHER (H P)	04-6217-61	2
45	3/8 MS HEX NUT	04-6304-61	16
46	P B SCREW MS	04-6321-61	2
47	1/4" X 4" ALLEN BOLTS MS (P B)	04-6005-61	4



AIR OPERATED DOUBLE DIAPHRAGM PUMPS



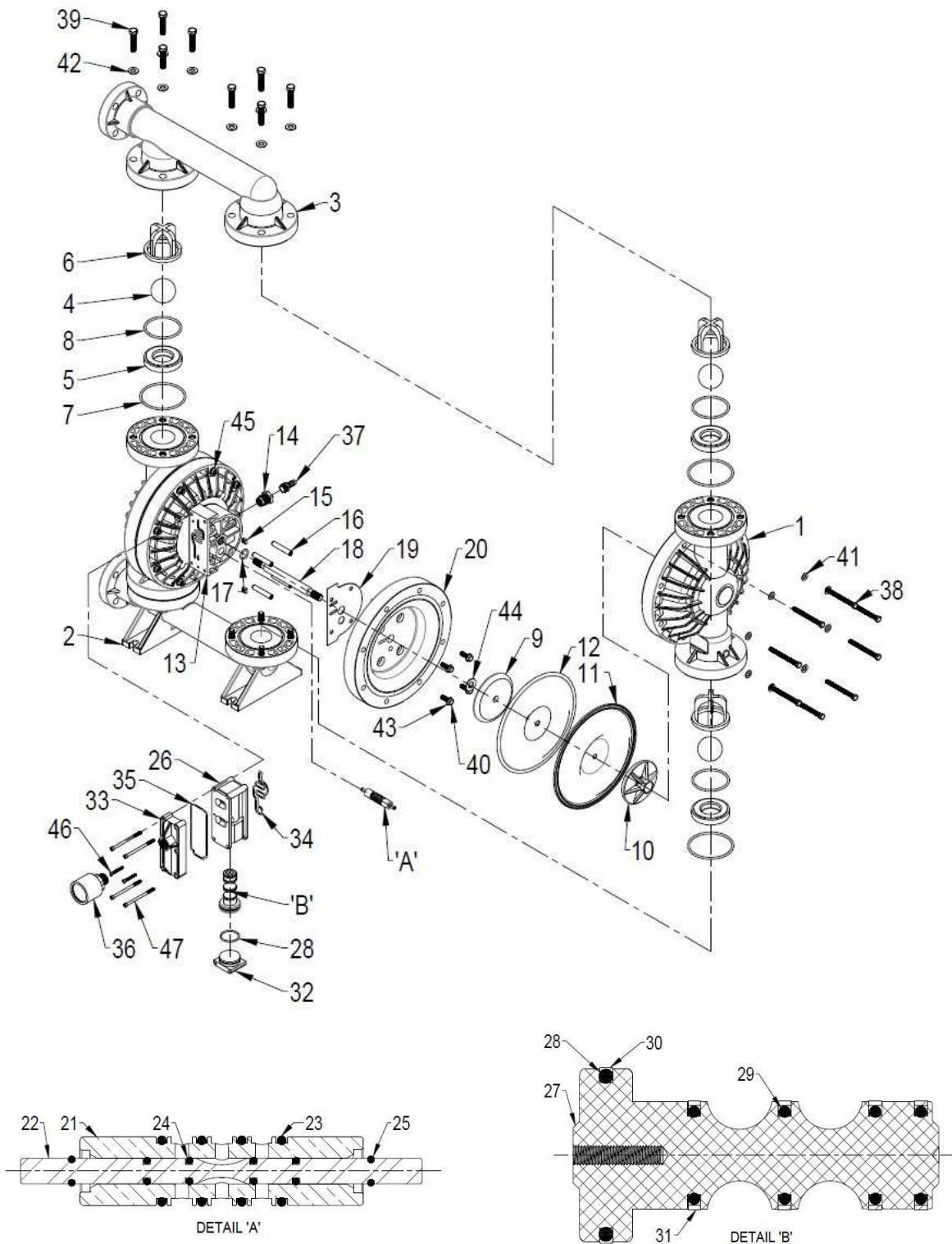
ISO 9001: 2008
ISO 14001: 2004

pricepumps.co.in

SECTION 3 – EXPLODED VIEW

2" POLYPROPYLENE PUMP

AOD 500/KKGP/TEF/TF/K/T





AIR OPERATED DOUBLE DIAPHRAGM PUMPS



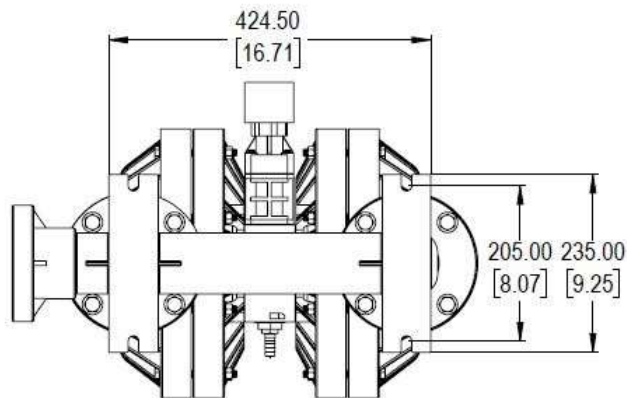
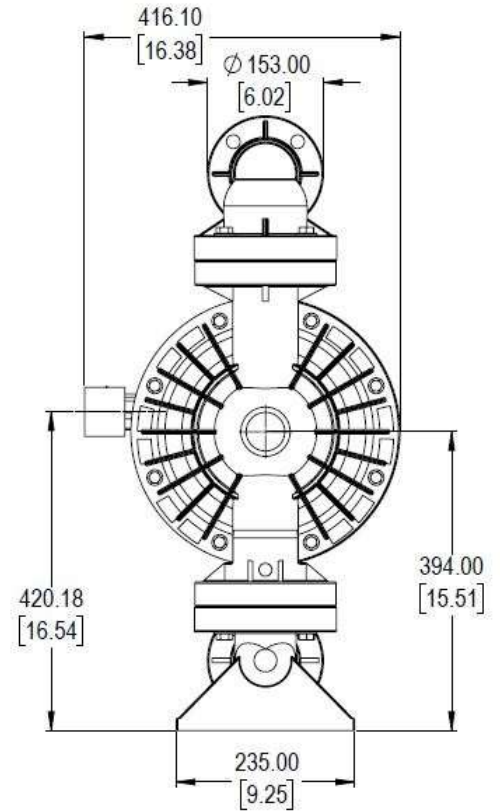
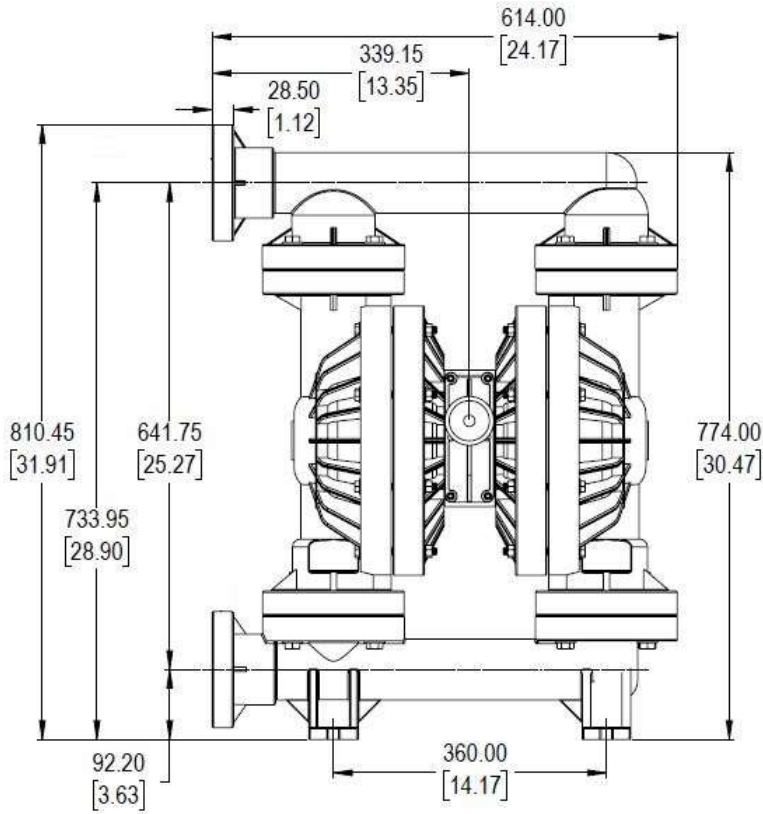
ISO 9001: 2008
ISO 14001: 2004

pricepumps.co.in

SECTION 4 – DIMENSIONAL DRAWING

2" POLYPROPYLENE PUMP

AOD 500/KKGP/TEF/TF/K/T





**AIR OPERATED
DOUBLE
DIAPHRAGM
PUMPS**



ISO 9001: 2008
ISO 14001: 2004

pricepumps.co.in

NOTES: